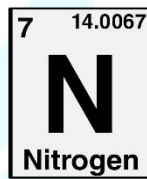
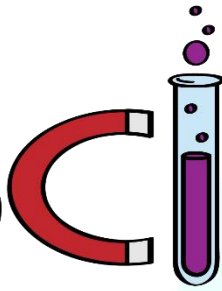
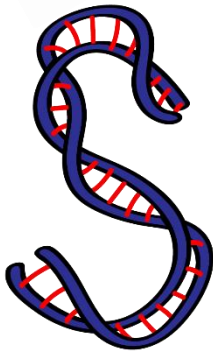




**ASPIRE**  
INTERNATIONAL SCHOOL



**Science Department**

**2023/2024**

**Year 4**

**Term 3, Week 5**

ASPIRE

INTERNATIONAL SCHOOL

Name: .....

Class: .....

### 1) Write 1 word

A circuit where electricity flows all the way round.

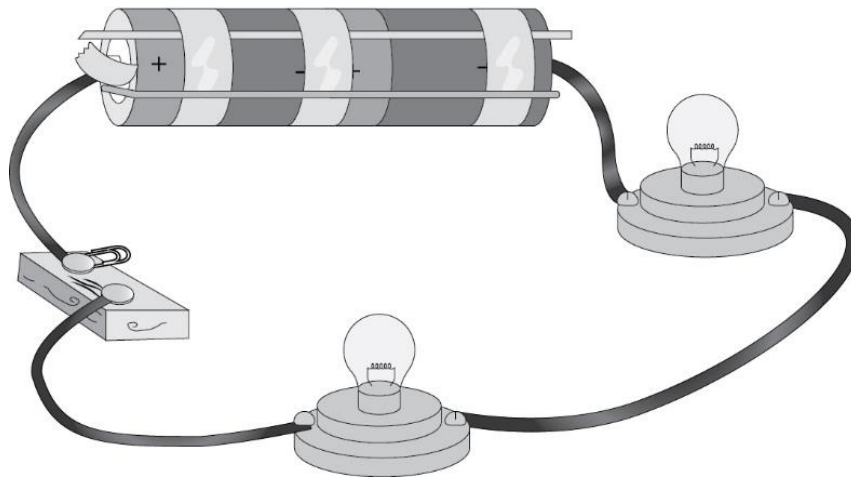
-----**Complete circuit**-----

### 2) What is the difference between

A closed circuit and an open circuit?

----**A closed circuit allows electricity to flow, while open circuit doesn't allow electricity to flow/ Has a break in the circuit**----

3)



a- What must you do to close the circuit?

-----**Close the switch**-----

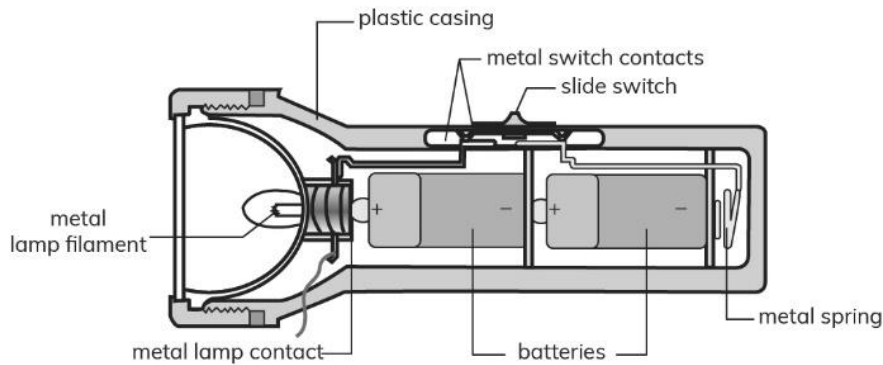
b- If you add a third lamp, will the lamps shine more brightly, the same or more dimly?

-----**More dimly**-----

c- If you add a third battery, will the lamps shine more brightly, not at all or more dimly?

-----**More brightly**-----

4)



How do you close the circuit on the flashlight?

-----**Turn on the switch**-----

**5) Underline the conductors of electricity in this list of materials**

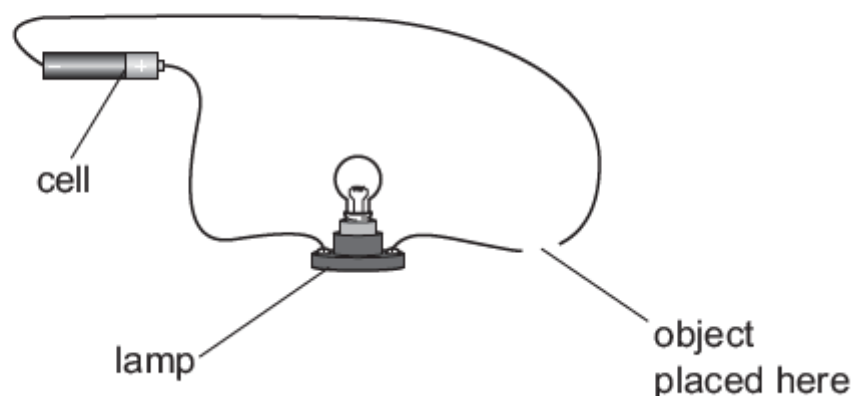
a- When you add a lamp to a circuit, all the lamps will shine (**more brightly than/less brightly than/the same as before**).

b- When you add a cell to a circuit, all the lamps will glow (**more brightly than/less brightly than/the same as before**).

c- If you add a cell and a lamp to a circuit that has only one cell and one lamp, all the lamps will shine (**more brightly than/less brightly than/the same as before**).

**6) Oliver investigates electrical conductors and electrical insulators.**

The diagram shows the equipment he uses.



Oliver places a copper coin in the circuit.

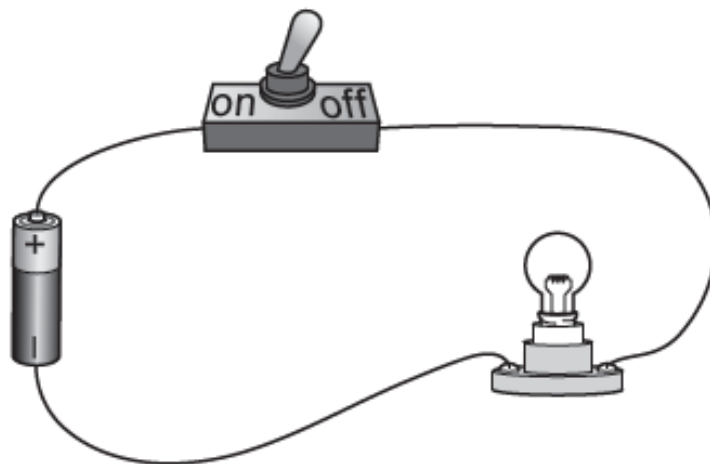
Predict what will happen to the lamp.

Explain your answer.

The lamp will ..... **the lamp will light** .....

This is because ..... **copper conducts electricity** .....

7) Lily makes this electrical circuit.



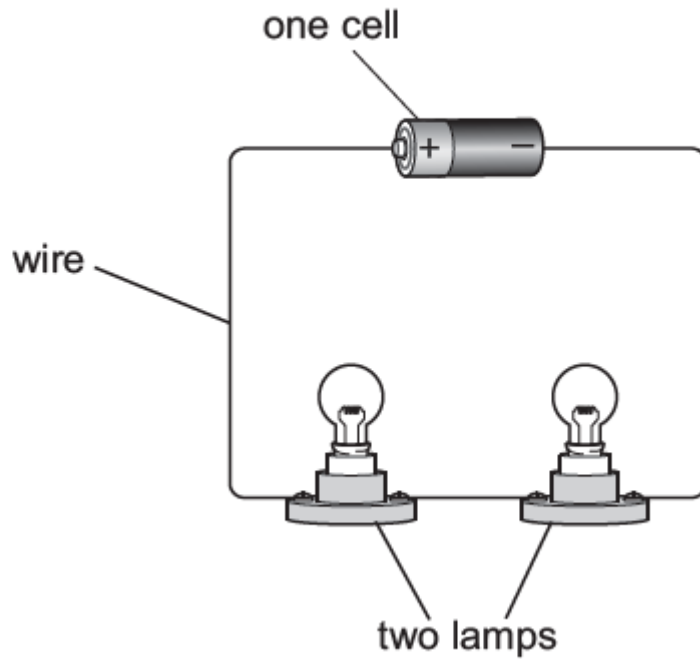
Lily changes the electrical circuit so that the lamp lights.

The lamp is very dim.

Write down **one** way Lily makes the lamp brighter.

..... **Add another cell / battery.** .....

8) This electrical circuit has one cell and two lamps.



The lamps are dim.

(a) Describe how to make the lamps brighter.

Circle the correct answer.

add more cells

add more wire

add one more lamp

add two more lamps

E  
SCHOOL

(b) Which component is added to open and close an electrical circuit?

Switch

.....