

SCORE

# Geometry

With Classified  
answer book

8

Eng. Magda El-Labban

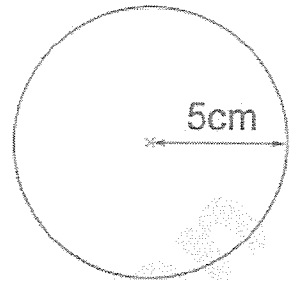
© 01007044107

## 5- Area of a circle



1. Shown is a circle with radius 5cm.

Work out the area of the circle. State the units for your answer. Give your answer to 2 decimal place.

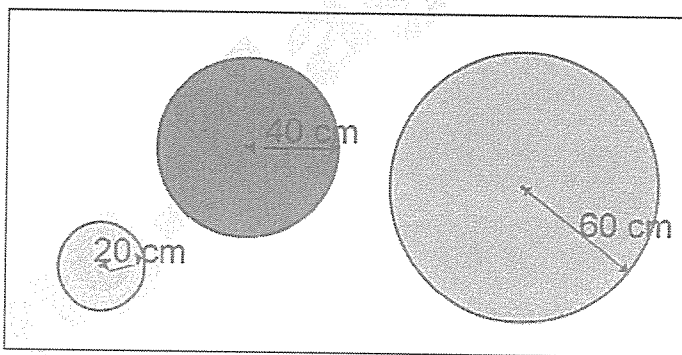


2. A circle has radius 3cm.

Work out the area of the circle. Give your answer in terms of  $\pi$

.....cm<sup>2</sup>

3. Some spots are painted on a wall.



What is the total area of the wall that is covered by paint?

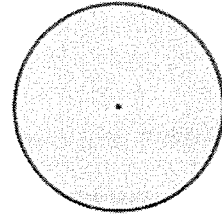
Give your answer in terms of  $\pi$ .

area = \_\_\_\_\_

4. a) Filip finds the area of the circle.

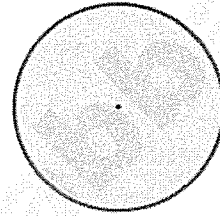
His answer is  $64\pi \text{ cm}^2$

What is the radius of the circle?



radius =  cm

b) The area of this circle is  $144\pi \text{ m}^2$   
What is the diameter of the circle?



diameter =  m

5. The area of a circle is  $120 \text{ cm}^2$

a) Find the radius of the circle.

Give your answer to 1 decimal place.

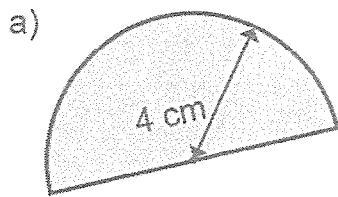
radius =

b) What is the diameter of the circle?

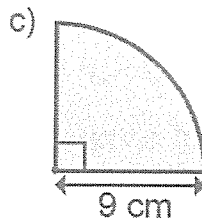
diameter =

6. Work out the area of the parts of circles.

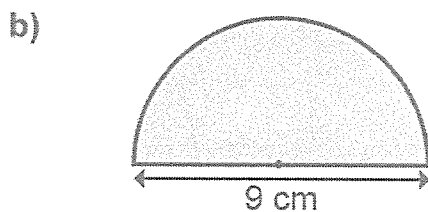
Give your answers in terms of  $\pi$ .



area = \_\_\_\_\_  $\text{cm}^2$



area = \_\_\_\_\_  $\text{cm}^2$



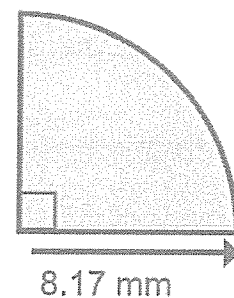
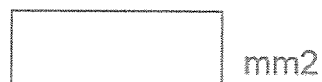
area = \_\_\_\_\_  $\text{cm}^2$

7. The area of a semicircle is  $50\pi \text{ cm}^2$

What is the radius of the semicircle?

radius =  cm

8. Find the area of the shape.

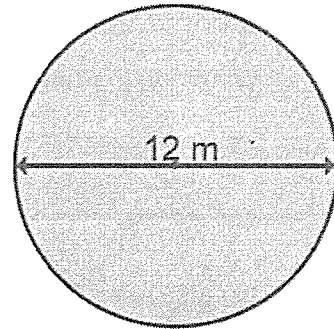


9. Ms Potter is covering a flower bed in compost.

The flower bed has a diameter of 12 m.

A bag of compost can cover  $15 \text{ m}^2$  of garden.

How many bags of compost will Ms Potter need?



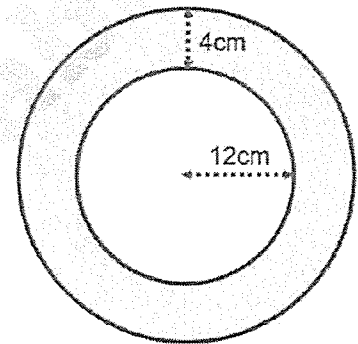
10. Shown below is a circular photo surrounded by a frame.

The photo has radius 12cm.

The frame has width 4cm.

Workout area of the frame.

This area is shaded in the diagram.



..... $\text{cm}^2$

11. A circle has an area of  $200\text{cm}^2$ .  
Workout the radius of the circle.

.....cm

12. A circle has a circumference of 40cm.

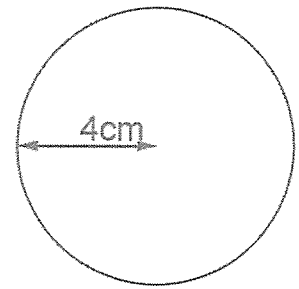
Workout the area of the circle.

..... $\text{cm}^2$

13. Kevin is working out the area of a circle with radius

4cm He writes:

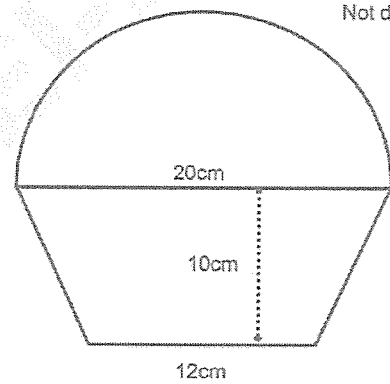
$$\text{Area} = \pi \times 8$$



Explain why Kevin's working is wrong.

14. A design is shown below.

Find the area of the design.



Not drawn accurately

.....cm<sup>2</sup>

15. (a) The wheel of a bicycle has a diameter of 62cm

The wheel makes 100 complete rotations.

How far has the bicycle travelled?

Give your answer in metres.

(b) A wheel travels 50m.

The radius of the wheel is 7.5cm.

How many complete revolutions has the wheel made?

16. James wants to paint a wall. He buys some paint. Each tin of paint costs £1.99 and covers  $5\text{m}^2$ .

The wall is rectangular but has a semi circle window.

How much will the wall cost to paint?

